



Sink - MEM

Single-lever lavatory mixer with drain - polished chrome

Article number: 33 500 782-00 0010

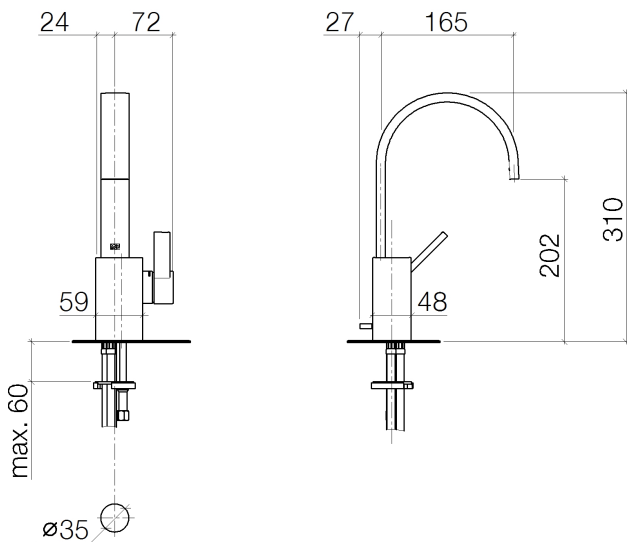


- 6-1/2" Projection
- US drain with overflow
- Rigid spout
- Rectangular aerated stream
- Total height 12-1/4"
- Height to aerator/spout outlet 8"
- 1-3/8" hole diameter
- 2x 3/8" US flexible supply lines
- Water flow rate limited to max. 1.2 gpm
- lead-free
- (ADA)
- Suitable only for basins with overflow.



polished chrome

Dimensional drawing





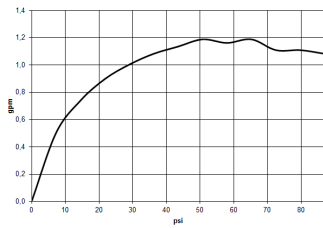
Sink - MEM

Single-lever lavatory mixer with drain - polished chrome

Article number: 33 500 782-00 0010

All dimensions in mm / inch = mm x 0,0394

Flow rate chart





Sink - MEM

Single-lever lavatory mixer with drain - polished chrome

Article number: 33 500 782-00 0010

Other surface finishes



platinum matte
33 500 782-06 0010



platinum
33 500 782-08 0010



Dark Brass matte
33 500 782-16 0010



Dark Bronze matte
33 500 782-17 0010



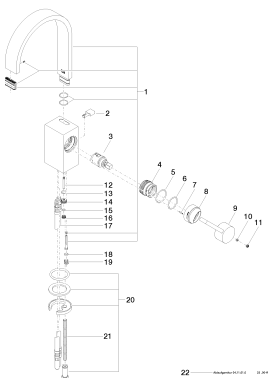
Cyprum
33 500 782-49 0010



Dark Platinum matte
33 500 782-99 0010

More custom finish options are available via special production (xTra Service). Please see our finish matrix for availability and pricing or contact a Dornbracht representative.

Spare parts list



Number	Item Number	Designation	Number of units
<hr/>			